

Original Article

Assisting Mute People in Communication Using Flex Sensors

Mayur Laxman Ghodke¹, S. P. Agnihotri²

¹PG Student, Department of Electronics and Telecommunication, Savitribai Phule Pune University, Pinjar Ghat Road, H No.2504-A, Nashik, India.

² Guide, Department of Electronics and Telecommunication, Savitribai Phule Pune University, Pinjar Ghat Road, H No.2504-A, Nashik, India.

Received Date: 29 January 2020

Revised Date: 10 March 2020

Accepted Date: 14 March 2020

Abstract - Size Communication is the only medium through which one can express his feeling to others, but it becomes difficult in the case of mute people. Sign language is an important tool used by mute impaired people to communicate. A human-machine interface that recognizes the sign language would have a significant impact on mute people social life. The advancement in embedded systems can provide a space to design and develop a translator system to convert sign language into speech. The work presented in this paper mainly reduces the communication gap between dumb and ordinary people. In the proposed work, a human-machine interface has been demonstrated which recognizes the sign language through flex sensors and converts it into text and voice. The system employs raspberry pi and flex sensors.

Keywords - Embedded System, Flex Sensors.

I. INTRODUCTION

It is estimated that over 481.2 million people around the world are suffering from some sort of disability. In recent years, the number of speech-impaired victims has risen rapidly due to accidents, diseases or birth defects. A person who is not able to speak or has lost this ability in some accident faces issues in communicating his thoughts, ideas, views, knowledge or feelings to society. A normal person needs to either learn sign language or seek the service of an interpreter to communicate with a speech-impaired person. As a result, a communication barrier exists due to which the mute people don't get social status as the general public. To minimize these barriers, a device has been proposed that converts hand gestures into sound. This project was meant to be a prototype to check the feasibility of recognizing sign language using flex sensors which are mentioned below.

II. FLEX SENSOR

Flex sensors are resistive carbon parts. It changes resistance as per the degree of bend. Flex sensors consist of a number of conducting particles. When there is any Bend, the conducting particles in flex sensors get separated. Due to this, current decreases and resistance increases.

Therefore, flex sensors are also known as bend sensors. The variation in resistance is just about 10kΩ to 30kΩ. When there is no bend, its resistance is 10kΩ. The device incorporates within the device employing a potential divider network.

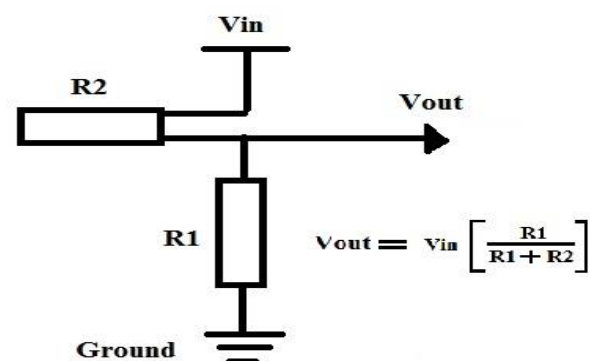


Fig. 1 Flex sensor as Voltage divider circuit

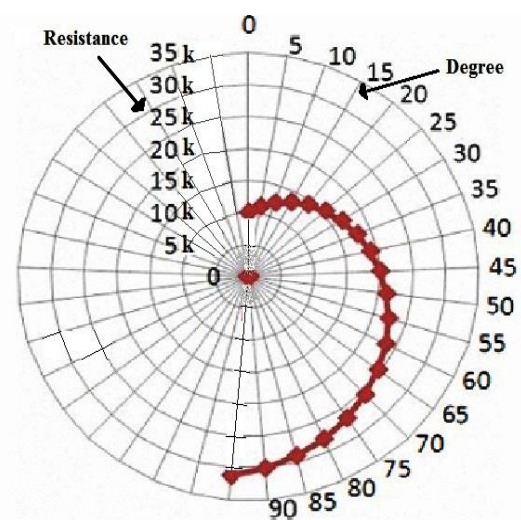


Fig. 2 Resistance Vs Degree chart



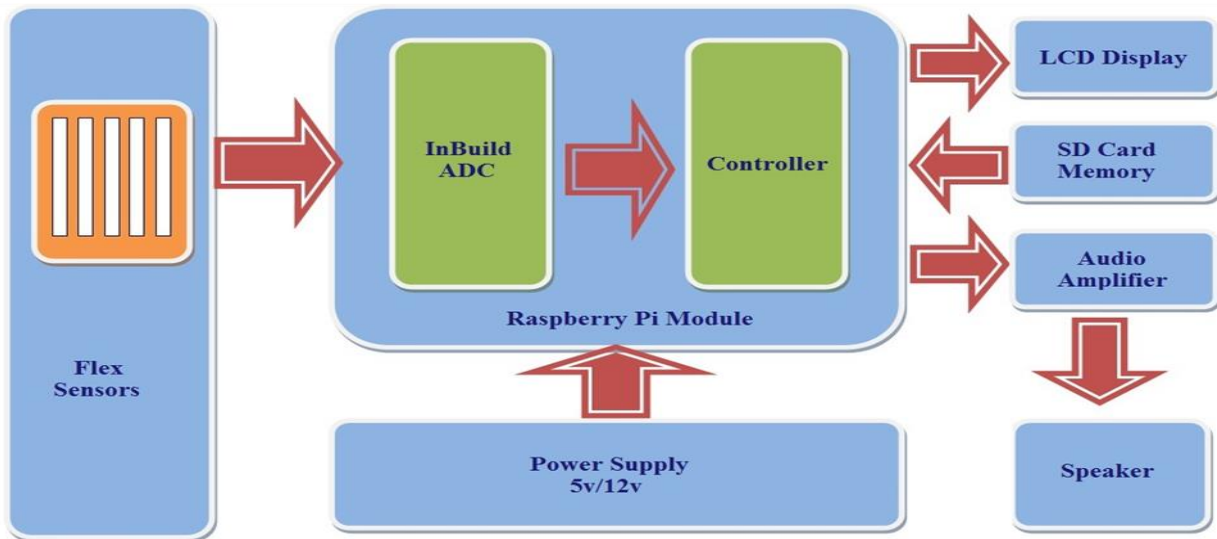


Fig. 3 Block diagram of system

III. WORKING PRINCIPLE OF SYSTEM

The system consists of a glove on which flex sensors are fixed that measures resistance as per the degree of bending and recognizes the alphabet gestures. Raspberry pi microcontroller is used to take input from flex sensors, and then this analogue data is converted to digital form by using a controller. Thus corresponding output with respect to gesture is displayed and is audible through a speaker. The functionality of each block is mentioned as follows.

A. Raspberry Pi

The Raspberry Pi is a compact-sized computer that can be easily plugged into a computer monitor or TV. Enables people of all ages to research computing and to learn how to program in languages like Scratch and Python. It is capable of doing everything we would expect a desktop information processing system to perform, surfing from the net and playing high-definition videos to making databases, word-processing, and live games. Raspberry pi has the capability to intercommunicate with the exterior world and has been used in digital projects

B. Liquid Crystal Display

The output of the system is displayed on LCD. In our system 16x2, LCD is used. The 16x2 indicates 16 columns and 2 rows. So, we can write 16 characters in each line. So, in total, 32 characters we can display on 16x2 LCD. The LCD will display the word corresponding to each hand gesture made by a user. This enables mute people to convey their thoughts using words... As deaf people can read the words directly from the LCD. Hence this system enables deaf people to communicate with Mute as well as normal people.

C. American Sign Language

Gestures are hand movements that convey meaningful information. American Sign Language is a standard sign language that is used in US and Canada. In this research, American Sign Language is used. ASL is transmitted from generation to generation, primarily through residential schools and dumb and deaf adults. The most effective way to communicate with mute people is to use sign language. The simplest system includes an understanding of finger spellings. These are shown below. According to this finger, a spellings database has been created for each alphabet.

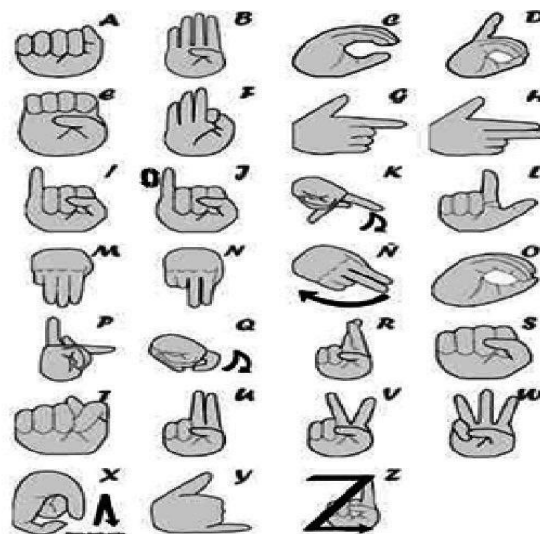


Fig. 4 Various forms of Gestures

D. SD CARD [External Memory]

The purpose of using an SD Card in this system is to store the data. The SD card stores the .wav file corresponding to each word present in the internal program memory of the ARM7 microprocessor. The microprocessor uses this data to play the output of the system on the Loud Speaker. The interfacing between SD card and microprocessor is through SPI protocol. Thus linking all the above blocks generates desired output for the system.

IV. FLOW CHART

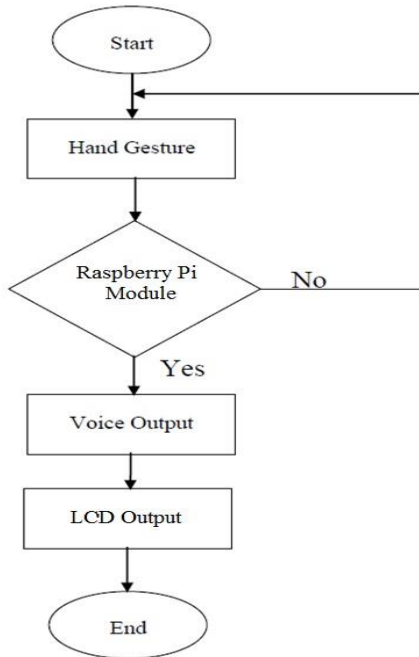


Fig. 5 Flow Chart of System

V. BENEFITS OF RASPBERRY PI

- Speed and Performance
- Low power consumption
- Multiple interfaces
- Compressed module

A. Merits of System

- Less Processing delay
- Robust System
- Low Power Requirement
- Quick Response Time

B. Demerits of System

- Memory requirement
- Sequence of gestures

C. Application of System

- Industrial Automation
- Human-robot interaction
- Intelligent Home Applications

VI. CONCLUSION

This system has improved a mute person’s lifestyle. At the same time, it is beneficial for a blind person and a dumb person to communicate. It has reduced the communication gap between the mute community and normal people. This project aims to develop a useful tool that uses gesture recognition for reducing the communication barrier between the mute community and normal people. This project was meant to be a prototype for checking the feasibility of recognizing gestures. This project was conceptualized to provide a voice to the voiceless and aid hearing-impaired people. This Technique was implemented successfully with accuracy at a highly optimized cost.

VII. FUTURE SCOPE

The system can be extended to support more number signs and different languages mode. Various programming techniques can enhance the system’s efficiency. Various programming logic can be introduced, more gestures.

ACKNOWLEDGEMENT

I express my sincere thanks to R H Sapat College of Engineering Management Studies & Research, Nashik, for providing the resources and necessary support for the development of this paper and offer sincere gratitude to Prof. Dr S. P. Agnihotri HoD Electronics Dept. for her kind guidance.

REFERENCES

- [1] V.Padmanabhan, M.Sornalatha, Hand gesture recognition and voice conversion system for dumb people, International Journal of Scientific & Engineering Research, 5(5) (2014).
- [2] Jose Emiliano Lopez-Noriega, Miguel Ivan Fernandez-Valladares, Victor Uc-Cetina, Glove-Based Sign Language Recognition Solution to Assist Communication for Deaf Users, 11th International Conference on Electrical Engineering, Computing Science and Automatic Control, (2014).
- [3] Dhiraj Gupta, Pankhuri Singh, Khushbu Pandey, Jaya Solanki, Design And Development Of A Low-Cost Electronic Hand Glove For Deaf And Blind, 978-9-3805-4416-8/15/\$31.00_c 2015 IEEE.
- [4] R. Balakrishnan, Santosh BK, Rahul H, Shivkumar, Sunil Anthony, Embedded Based Hand Talk Assisting System for Dumb Peoples on Android Platform, International Journal of Advanced Research in Electrical, Electronics and Instrumentation Engineering, 5(6) (2016).
- [5] R.Jayasree, M.Aiswarya, R.Deepa and G.Dhanalakshmi,, Gesture-Based Assistance System for Aphasia Patient, International Journal of Electronics and Communication Engineering ., 5(7) (2018).
- [6] Liang-Bi Chen, Chia-Wei Tsai, Wan-Jung Chang, Yuh-Ming Cheng, Katherine Shu-Min Li, A Real-Time Mobile Emergency Assistance System for Helping Deaf-Mute People/Elderly Singletons, IEEE International Conference on Consumer Electronics, (2016).
- [7] S.P. Agnihotri, Laxman Madhavrao Waghmare, Optimal tuning of PID controller with time delay system using CS and SRMR technique, Journal of Intelligent & Fuzzy Systems 31 (2016) 1287–1297
- [8] K. Naveen Kumar, P. Surendranath, K.Shekar, Assistive Device for Blind, Deaf and Dumb People using Raspberry-pi, Imperial Journal of Interdisciplinary Research, 3(6) (2017).